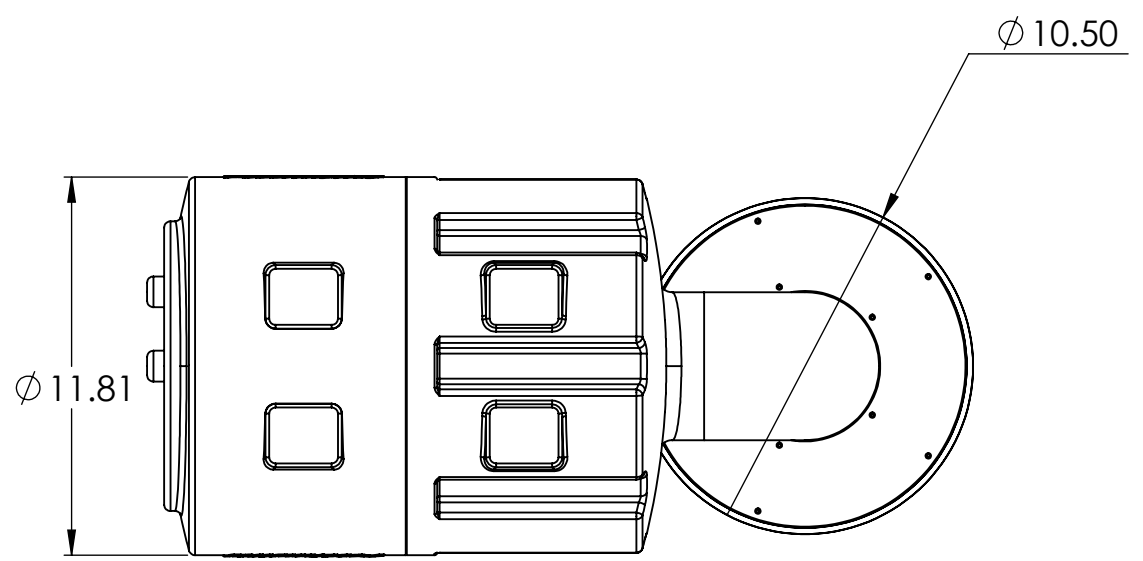
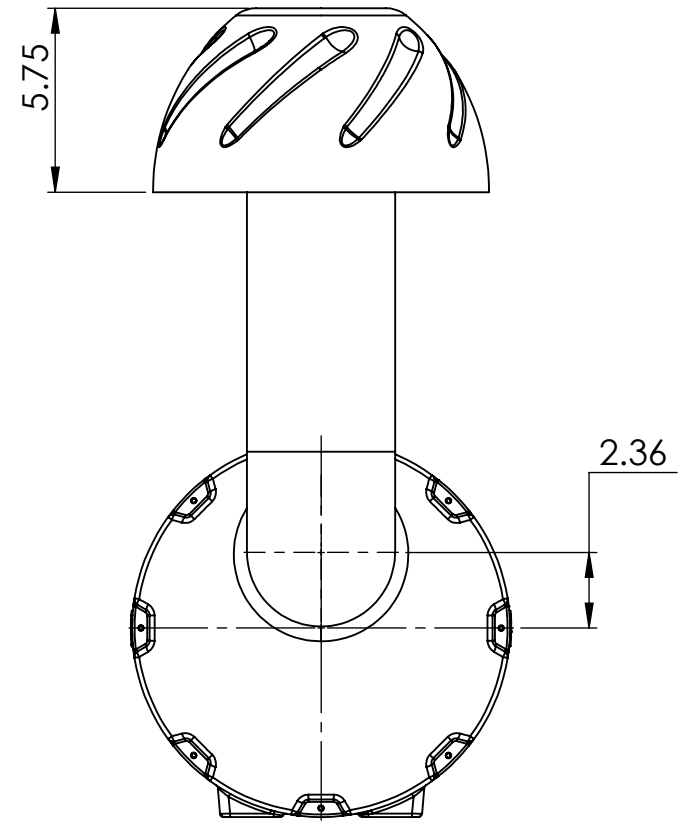
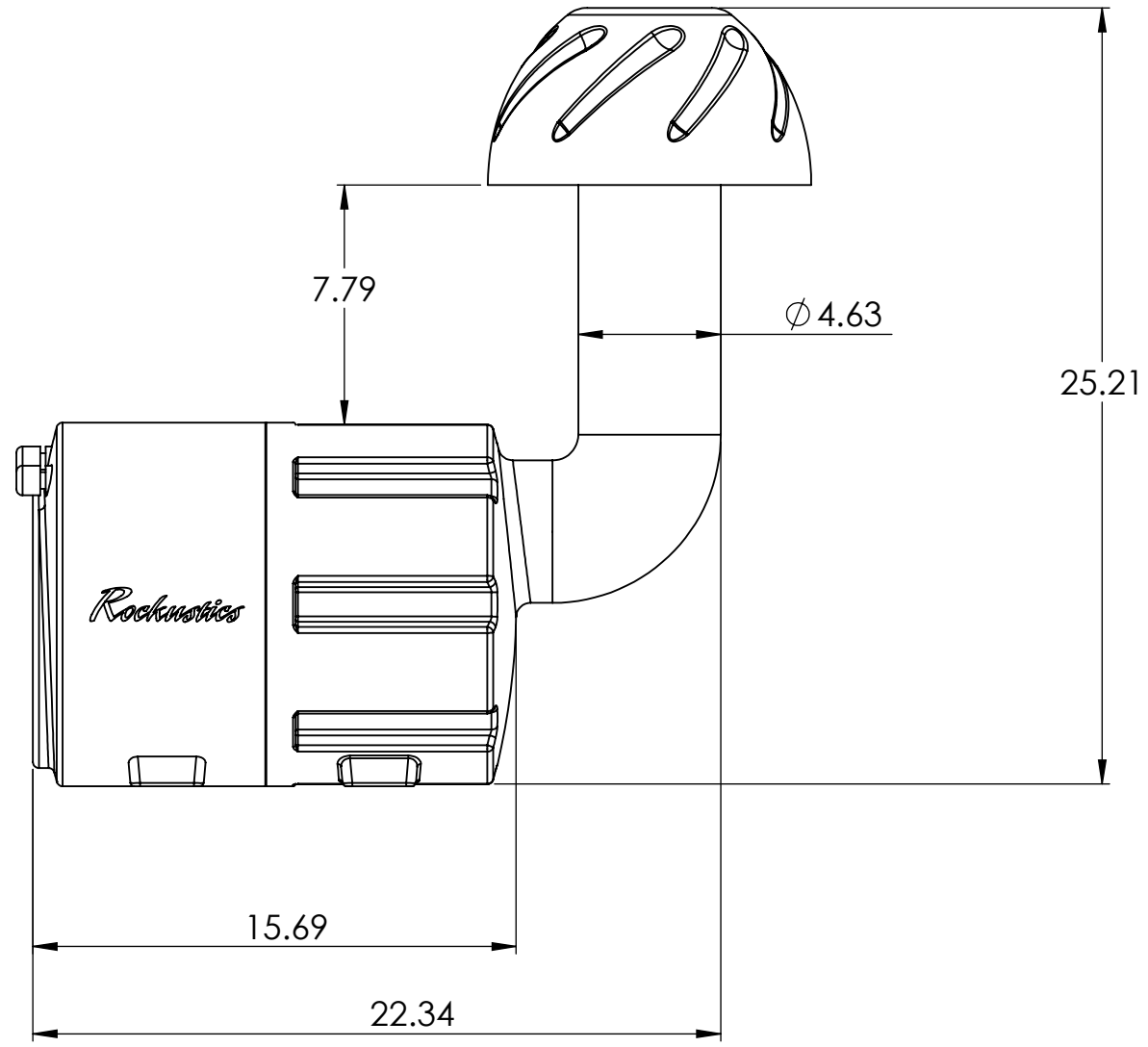


8 7 6 5 4 3 2 1

D
C
B
A



UNLESS OTHERWISE SPECIFIED:		NAME	DATE
DIMENSIONS ARE IN INCHES		DRAWN	DBS 6/20/18
TOLERANCES:		CHECKED	
FRACTIONAL $\pm 1/32$		COMMENTS	
ANGULAR: MACH ± 0.5		PROPRIETARY AND CONFIDENTIAL THE INFORMATION CONTAINED IN THIS DRAWING IS THE SOLE PROPERTY OF SOUNDTUBE ENTERTAINMENT. ANY REPRODUCTION IN PART OR AS A WHOLE WITHOUT THE WRITTEN PERMISSION OF SOUNDTUBE ENTERTAINMENT IS PROHIBITED.	
TWO PLACE DECIMAL $\pm .032$			
THREE PLACE DECIMAL $\pm .015$			
MATERIAL	PART NAME SUBSCAPE 10		
FINISH			
DO NOT SCALE DRAWING		SIZE	PART NO.
		B	
		SCALE: 1:10	WEIGHT:
		SHEET 1 OF 1	

8 7 6 5 4 3 2 1